



OUR PRODUCTS ARE DEDICATED  
TO THE CONSERVATION OF  
ENERGY

### LB Series Low Bay Fixture

The LB Series Low Bay Light fixture uses an even more efficient design with the latest in LED technology. Every aspect of the design has been carefully considered to deliver optimum performance. The most prominent feature of the LB Series is the third generation integrated optical system. This new optical design exceeds standards for all parking garages with the lowest possible power consumption and minimal glare.

#### Product Features:

- DLC compliant optics
- Injection molded one piece aluminum body
- Powder Coated Aluminum housing
- Key components can be refurbished
- UL1598 compliant
- 5 year warranty



Model	System Power (Watts)	Initial Delivered Lumens	Lumens Per Watt	L70 (hrs) at 25c
<b>LBe Series DLC Compliant Low Bay Fixture</b>				
LBeX36	40	3445	86	140000
LBeX48	54	4648	86	120000
LBeX64	71	6051	85	90000
<b>LB Series DLC Compliant Low Bay Fixture</b>				
LBX36	40	3240	81	140000
LBX48	54	4371	81	120000
LBX64	71	5690	80	90000

└ X - "S" Silver Housing (standard), "B" Black Housing

All models feature LEDs at 4500 K - 5000 K, CRI >70

# LB Series Specifications

**Electrical:**

Class 2 power supplies provide input voltage of 277vac. All power supplies provide Class A EMI rating with high power factor of 90% typical.

**Mounting:**

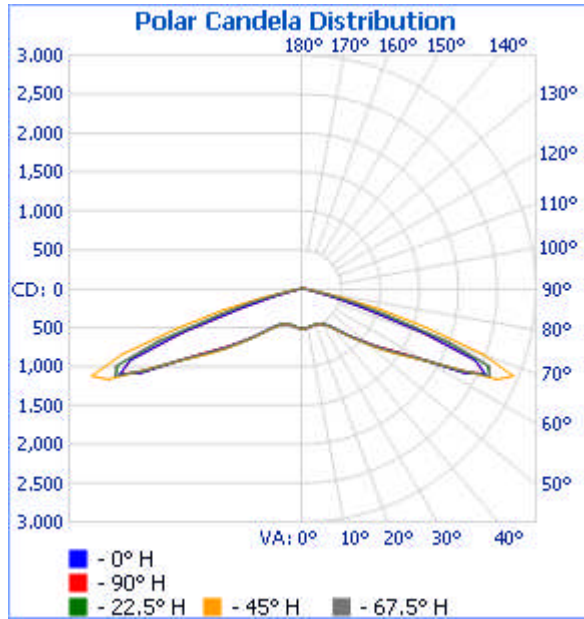
Pendant mount only.

**Environmental Impact:**

- ROHS Compliant
- No Mercury
- 100% Recyclable
- Reduction in Carbon Dioxide Emissions
- Reduction in Kw load by as much as 60%

**LB DLC Compliant Series Photometric:**

Tested to IESNA LM-79-08 standard by an independent testing laboratory.



LBx64 data shown

**Exterior Surface Finish:**

All Infinilux LED Low Bay Garage fixtures are finished with our exclusive InfiniGuard primer and polyester based powder coat.

**Testing and Compliance:**

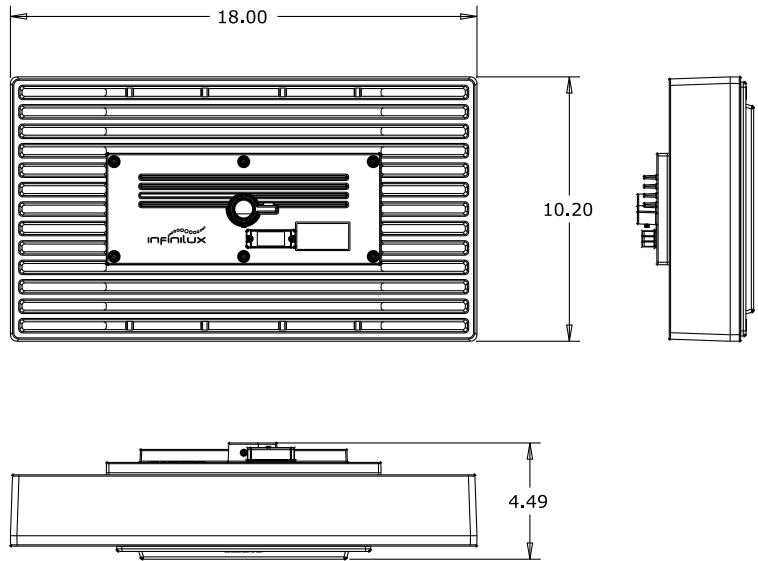
The LB series LED Low Bay is ETL certified under UL1598 specifications.

**Patents:**

Infinilux has patents pending for LB Series LED low bay garage light.

**Lumen Maintenance:**

Estimated long term reliability for light source which consists of the LED and PCB sub-assembly as installed in the fixture. Determined by using LM80, in situ thermal data in accordance with DOE/EPA standards and reliability data supplied by LED manufacturer.



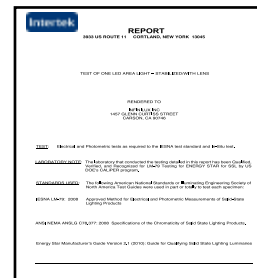
Dimensions shown in inches

**Optional Accessories:**

Refer to web site for detailed information on all optional accessories

**LB06 - Vertical Wall Mount Kit**

Infinilux maintains a tolerance of +/- 7% on flux and power measurements  
 Published output measurements using 4500 K  
 Typical CRI for Neutral White (4500 K - 5000 K) is 75  
 The information in this document is subject to change without notice.



Tested to LM-79 Standard